

**7.4 cu.ft.  
Frost Free  
Tall Freezer**

**Model**

**TZDA 627 F**



Congratulations on your choice of a **BEKO** quality Appliance which has been designed to give you service for many years.

**WARNING !  
IMPORTANT !**

DO NOT connect your appliance to the electricity supply until all packing and transit protectors have been removed.

- Leave to stand for at least 4 hours before switching on to allow compressor oil to settle if transported horizontally.
- If you are discarding an old refrigerator with a lock or latch fitted to the door, disable the lock/latch, ensure that it is left in a safe condition to prevent the entrapment of young children.
- This freezer must only be used for its intended purpose i.e. the storing and freezing of edible foodstuff.
- Do not dispose of the appliance on a fire. At BEKO, the care and protection of our environment is an ongoing commitment. This appliance which is among the latest range introduced is particularly environment friendly. Your appliance contains non CFC / HFC natural substances in the cooling system (Called R600a) and in the insulation(Called cyclopentane) which are potentially flammable if exposed to fire. Therefore, take care not to damage, the cooling circuit / pipes of the appliance in transportation and in use. In case of a damage do not expose the appliance to fire, potential ignition source and immediately ventilate the room where the appliance is situated.
- We suggest you contact your local authority for disposal information and facilities available.
- To obtain the best possible performance and trouble free operation from your appliance it is very important to carefully read these instructions.
- On delivery, check to make sure that the product is not damaged and that all the parts and accessories are in perfect condition.
- Take care to ensure that the plug remains readily accessible. Do not use multiple adapter bar or extension cable.
- Failure to observe these instructions may invalidate your right to free service during the guarantee period.

**WARNING-** Keep ventilation openings, in the appliance enclosure or in the built-in structure, clear of obstruction.

**WARNING-** Do not use mechanical devices or other means to accelerate the defrosting process, other than those recommended by the manufacturer.

**WARNING-** Do not damage the refrigerant circuit.

**WARNING-** Do not use electrical appliances inside the food storage compartments of the appliance, unless they are of the type recommended by the manufacturer.

- We suggest you keep these instructions in a safe place for easy reference.

<b>BEKO</b> <b>Frost Free Tall Freezer</b> <b>TZDA 627 F</b>	
<b>PERFORMANCE</b>	
Energy efficiency class	A
Energy consumption - Kwh/year	273
Net storage - vol fresh food ltrs (cu.ft.)	----
Net storage - vol frozen food ltrs (cu.ft)	174 (6.2)
Total net vol - ltrs (cu.ft.)	174 (6.2)
Frozen food compartment rating	4 STAR
Conservation time from failure	11 hrs.
Freezing capacity fresh food - kg (lb) /24 hrs.	16 (35)
Climate class	SN
Operating noise level dB(A)	43

<b>CONTENTS</b>	<b>PAGE</b>
SAFETY FIRST / ELECTRICAL REQUIREMENTS	3
TRANSPORTATION INSTRUCTIONS	4
INSTALLATION INSTRUCTIONS	5
INDICATOR LIGHTS	6
STARTING	7
TEMPERATURE CONTROL AND ADJUSTMENT	8
STORING FROZEN FOOD	8
FREEZING FRESH FOOD	9
MAKING ICE CUBES	10
DEFROSTING	10
CLEANING AND CARE	11
DO'S AND DON'TS	12
PROBLEM SOLVING/ TROUBLE SHOOTING	12
REVERSING THE DOOR	13-14
GUARANTEE DETAILS	15
HOW TO OBTAIN SERVICE	16

## ELECTRICAL REQUIREMENTS

Before you insert the plug into the wall socket make sure that the voltage and the frequency shown in the rating plate inside the appliance corresponds to your electricity supply. Rating label is on the left hand side of the freezer liner. We recommend that this appliance is connected to the mains supply via a suitable switched and fused socket. The socket must be in an accessible position. Should the mains lead of the appliance become damaged or should it need replacing at any time, it must be replaced by a special purpose made mains lead which can only be obtained from a BEKO Authorised Service Agent.


## WARNING! THIS APPLIANCE MUST BE EARTHED

If the fitted moulded plug is not suitable for your socket, then the plug should be cut off and an appropriate plug fitted. Destroy the old plug which is cut off as a plug with bared cord could cause a shock hazard if inserted into a socket elsewhere in the house.

The moulded plug on this appliance incorporates a 13 A fuse. Should the fuse need to be replaced an ASTA approved BS 1362 fuse of the same rating must be used. Do not forget to refit the fuse cover. In the event of losing the fuse cover the plug must not be used until a replacement fuse cover has been fitted. Colour of the replacement fuse cover must be the same colour as that visible on the pin face of the plug. Fuse covers can be obtained from a BEKO authorised service agent.

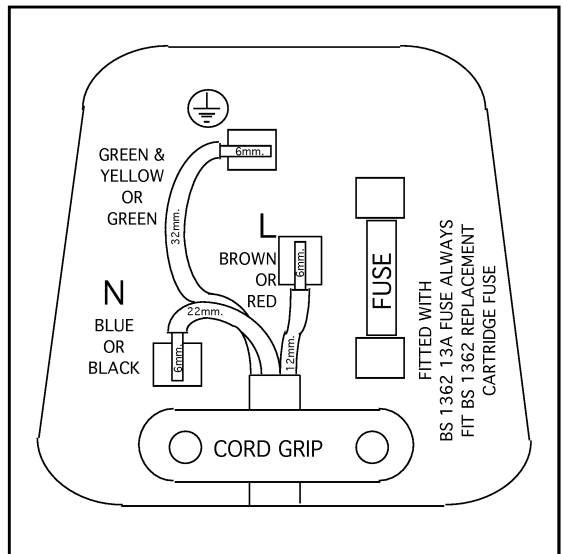
## IMPORTANT! FITTING A DIFFERENT PLUG

As the colours of the wires in the mains lead of this appliance may not correspond with the coloured markings identifying the terminals in your plug proceed as follows: (See diagram).

1. Connect the green-yellow or green (Earth) wire to the terminal in the plug marked 'E' or with the symbol  or coloured green and yellow or green.
2. Connect the blue (Neutral) wire to the terminal in the plug marked 'N' or coloured black.
3. Connect the brown (Live) wire to the terminal in the plug marked 'L' or coloured red.

With alternative plugs a 13 A fuse must be fitted either in the plug or adaptor or in the main fuse box.

If in doubt contact a qualified electrician.



## **TRANSPORTATION INSTRUCTIONS**

1. The freezer should be transported only in a vertical upright position. The packing as supplied must be intact during transportation.
2. If during the course of transport the appliance has to be transported horizontally, the product must only be laid on its right hand side (when facing the door front) and it must not be operated for at least 4 hours to allow the system to settle after the appliance is brought back to upright position.
3. Failure to comply with the above instructions could result in damage occurring to the freezer. The manufacturer will not be held responsible if these instructions are disregarded.
4. The freezer must be protected against rain, moisture and other atmospheric influences.
5. When positioning your appliance take care not to damage your flooring, pipes, wall coverings etc. Do not move the appliance by pulling by the door or handle.

**IMPORTANT :** Care must be taken while cleaning / carrying the appliance to avoid touching the bottom of the condenser metal support or pipework at the back of the appliance as you might injure your fingers and hands or damage your product.

**IMPORTANT :** This appliance is not designed for stacking with any other appliance.

Do not attempt to sit or stand on top of your appliance as it is not designed for such use. You could injure yourself or damage the appliance.

**IMPORTANT :** Make sure that mains cable is not caught under the appliance during and after carrying / moving the appliance, to avoid the mains cable becoming cut or damaged.

Do not allow children to play with the appliance or tamper with the controls. BEKO plc declines to accept any liability should the instructions not be followed.

**IMPORTANT  
INSTALLATION INSTRUCTIONS**

1. The space in the room where the appliance is installed must not be smaller than 10 cubic metres.
2. If possible avoid placing the appliance near cookers, radiators or in direct sunlight as this will cause the compressor to run for long periods. If installed next to a source of heat or refrigerator, maintain the following minimum side clearances:

From Cookers	2" (50 mm)
From Radiators	12" (300 mm)
From Refrigerators or Larder Fridge	1" (25 mm)

3. Make sure that sufficient room is provided around the appliance to ensure free air circulation. Allow a minimum of 60 mm (2.4 inches) between the top of the appliance and the ceiling or the underside of a wall cupboard.
4. Fit the two plastic wall spacers supplied with the appliance rotating 1/4 turn to the condenser at the back of the appliance (See diagram).
5. The appliance should be located on a smooth surface.

The two front feet can be adjusted as required.

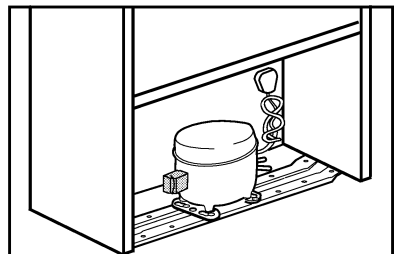
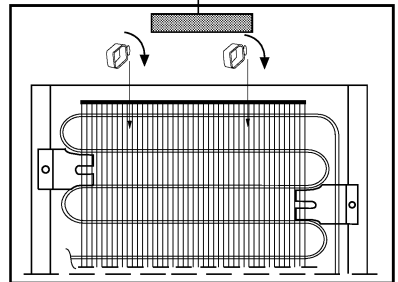
To ensure that your appliance is standing upright adjust the two front feet by turning clockwise or anti-clockwise, until the product is in firm contact with the floor. Correct adjustment of feet avoids excessive vibration and noise.

6. Refer to "Cleaning and Care" section to prepare your appliance for use.

7. A special receptacle is supplied to store the mains plug during transit.

The receptacle is fixed at the back of the cabinet, on the right hand side of the compressor. (See diagram) Gently remove the plug from the receptacle. Never pull the mains cord, you may damage the appliance. In the case of transportation, ensure you locate the plug in the receptacle provided to avoid transit damage.

Electronic card  
(covered by plastic cover)



## INDICATOR LIGHTS

There are three coloured indicator lights located on the front of the appliance which shows the operating mode of the freezer.

Indicator lights slightly flicker. This is by design and not a fault, don't worry. This low energy consumption design is developed to achieve the lowest possible electricity use.

### Green Indicator (1)

Illuminates when the appliance is connected to the mains and will glow as long as electricity is available. The green indicator does not give any indication of the temperature inside the freezer.

### Amber Indicator (2)

This indicator will glow when the fast freeze button (4) is on and will continue to glow for 34 hours until the fast freeze button is turned off. It will automatically turn off after 34 hours otherwise, the compressor will run continuously while fast freeze button is on. Fast freeze operation is for freezing fresh food (See Freezing Fresh Food, page 9).

### Red Indicator (3)

Red indicator light has a built-in delay. On switching the appliance, it will not come on for 24 hours.

This indicator will glow when the internal temperature rises above  $-5^{\circ}\text{C}$  and it will automatically de-activate when the internal temperature falls below  $-9^{\circ}\text{C}$ .

### Thermostat Knob (5)

Thermostat knob is located on the indicator light set.

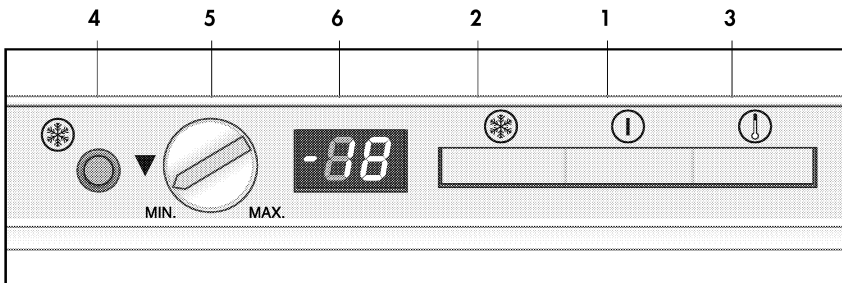
### Temperature Display (6)

Display shows actual internal temperature. When you switch on fast freeze, it will display  $-27^{\circ}\text{C}$  for 5 seconds. When you rotate the knob, it displays the new setting for 5 seconds and then reverts back to actual temperature.

## IMPORTANT :

When you press the fast freeze button (4), there may be a short delay before the compressor starts to operate. This is normal and not a compressor fault, don't worry.

- E0 flashes on display (6) if there is a freezer sensor failure.
- E1 flashes on display (6) if there is a defrost sensor failure.
- E4 blinks on display if there is a heater failure.





## STARTING

### Final Check

Before you start using the freezer check that:

1. The front feet have been adjusted so the appliance is level.
2. The interior is dry and air can circulate freely at the rear.
3. Clean the interior as recommended under "CLEANING AND CARE."
4. Insert the plug into the wall socket and switch on the electricity supply. Avoid accidental disconnection by taping over the switch. Green light will glow and the compressor will start running in about five minutes.
5. You will hear a noise as the compressor starts up. The liquid and gases sealed within the refrigeration system may also give rise to noise, whether the compressor is running or not which is quite normal.
6. If you are going to store frozen food open the freezer door and check that the fast-freeze button is off (the amber light will not come on). When temperature reaches  $-18^{\circ}\text{C}$  or below, you can put in your frozen food. (See Storing Frozen Food page 8).
7. If you are going to freeze fresh food, you must press the fast-freeze button. The amber light will come on and you must wait at least three hours before putting in your fresh food to be frozen. (See Freezing Fresh Food, Page: 9).
8. Front edges of the cabinet may feel warm. This is normal. These areas are designed to be warm to avoid condensation.
9. We recommend that you set the thermostat knob at MIN setting and monitor the temperature to ensure the appliance maintains desired storage temperatures (See Temperature Control and Adjustment section).

### Important Notes :

1. If there is a power failure do not open the door. Frozen food should not be affected if the failure lasts for less than 11 hours. If the failure is longer, then the food should be checked and either eaten immediately or cooked and then re-frozen.
2. If you find the freezer door difficult to open just after you have closed it, don't worry. This is due to the pressure difference which will equalise and allow the door to open normally after a few moments.
3. You will hear a vacuum sound just after closing the door. This is quite normal.
4. When you switch on, the appliance will not start immediately, because the appliance incorporates a protection device in the electronics - wait for about 5 minutes.
5. If the freezer door is left open [Or ajar] for more than 60 seconds, the door open alarm will be activated. You will hear the audible alarm "beep" warning to make you aware that the door is not shut fully. As soon as you close the door, the audible alarm would cancel itself.


## TEMPERATURE CONTROL AND ADJUSTMENT

Operating temperatures are controlled by the electronic thermostat knob and may be set at any position between MIN and MAX (The coldest position). MAX position is -24 °C and MIN position is -18 °C.

The normal storage temperature of your appliance should be -18 °C (0 °F). Lower temperatures may be obtained by adjusting the thermostat knob towards MAX position.

If temperature fluctuates after you put in food, don't worry, it is not a fault. Please remember each time the door is opened cold air escapes and the internal temperature rises. Therefore never leave the door open and ensure it is closed immediately after food is put in or removed.

## STORING FROZEN FOOD

Prepacked commercially frozen food should be stored in accordance with the frozen food manufacturer's instructions for a  frozen food storage compartment.

To ensure that the high quality achieved by the frozen food manufacturer and the food retailer is maintained the following should be remembered:

1. Put packets in the freezer as quickly as possible after purchase.
2. Do not exceed "Use By", "Best Before" dates on the packaging.

## FREEZING FRESH FOOD

Freezing capacity of your appliance in a 24 hours period is 16 kg (35 lb). Never exceed this maximum capacity.

If large amounts of fresh food is going to be frozen, press the fast freeze button ideally 8 hrs. before putting the fresh food in the freezer.

It is strongly recommended to leave fast freeze button on for 24 hrs. to freeze the maximum amount of fresh food declared as the freezing capacity.

When fast freeze button is on -27 °C will flash for 5 seconds on display.

Do not freeze too large a quantity at any one time.

You may place fresh food to be frozen in any part of the freezer.

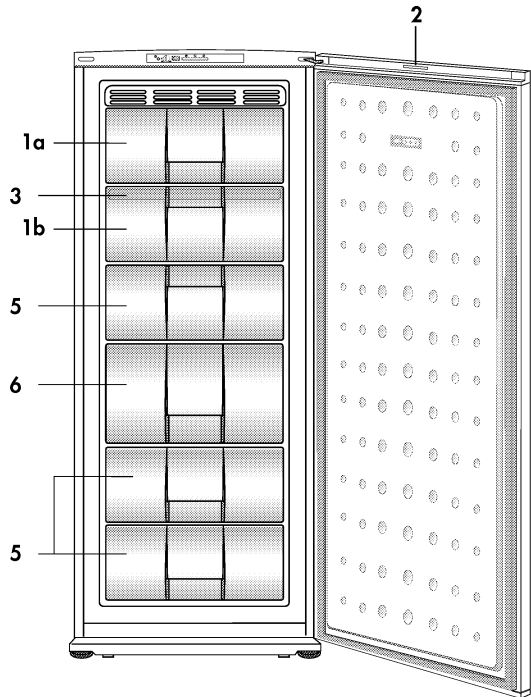
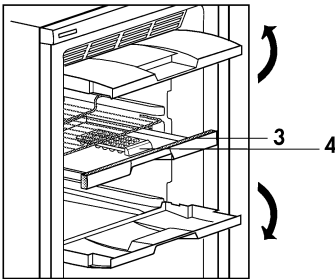
Do not close air flow channels while loading.

For hygiene reasons, always wrap food using a suitable packaging material before storing in your appliance to avoid contact with the appliance surface.

### Take special care not to mix frozen food and fresh food.

Compartments other than the fast freeze compartments shown with (1) should only be used for storage of frozen food shown with (5, 6 and 7). Ice bank (3) has been specially designed to make and store ice cubes (See Making Ice Cubes).

1. Fast freeze compartments
  - 1a. Lift up flap
  - 1b. Drop down flap
2. Indicator light lens
3. Ice bank
4. Ice cube tray
5. Standard drawers
6. Extra large drawer



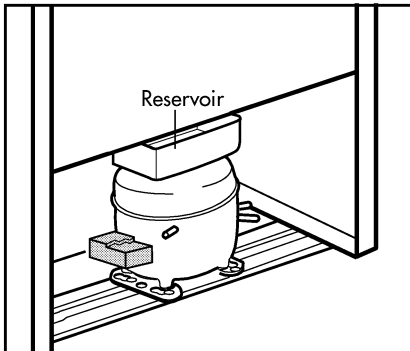
## MAKING ICE CUBES

Fill the ice-cube tray  $\frac{3}{4}$  full with water and place it on the special Ice Bank. Store ice-cubes in the Ice Bank.

## DEFROSTING

The appliance defrosts automatically. The defrost water drains into a plastic reservoir at the back of the appliance and evaporates automatically.

Ensure that the reservoir is fixed properly above the compressor.



## **CLEANING AND CARE**

- \*\* We recommend that you switch off the freezer at the socket outlet and pull out the mains plug before cleaning.
- \*\* Never use any sharp abrasive instrument, soap, household cleaner, detergent and wax polish for cleaning.
- \*\* Use luke warm water to clean the cabinet of the freezer and wipe it dry.
- \*\* Use a damp cloth wrung out in a solution of one teaspoon of bicarbonate of soda to one pint of water to clean the interior and wipe it dry.
- \*\* If the freezer is not going to be used for a long period of time switch it off, remove all food, clean it and leave the door ajar.
- \*\* To remove a drawer, pull it as far as possible, and then tilt it upwards, and then pull it out completely.
- \*\* Any dust that gathers on the condenser, which is located at the back of the freezer, should be removed once a year with a vacuum cleaner.
- \*\* Check door seals regularly to ensure they are clean and free from food particles.

## DO'S AND DON'TS

- Do- Check contents of the freezer at regular intervals.
- Do- Clean your freezer regularly.
- Do- Keep food for as short a time as possible and adhere to "Best Before", "Use By" dates.
- Do- Store commercially frozen food in accordance with the instructions given on the packets that you buy.
- Do- Always choose high quality fresh food and be sure it is thoroughly clean before you freeze it.
- Do- Prepare fresh food for freezing in small portions to ensure rapid freezing.
- Do- Wrap all foods in aluminium foil or freezer quality polythene bags and make sure any air is excluded.
- Do- Wrap frozen food when you buy it and put it in to the freezer as soon as possible.
- Do- Separate food in the compartments. This will enable you to find food quickly and avoid excessive door opening therefore save electricity.
- Do- Remove ice cream from the freezer 10-20 minutes before serving.
- Don't- Leave the door open for long periods as this will make the freezer more costly to run.
- Don't- Put hot food into the freezer. Let it cool down first.
- Don't- Put liquid-filled bottles or sealed cans containing carbonated liquids into the freezer as they may burst.
- Don't- Store poisonous or dangerous substances in the Freezer. Your freezer has been designed for the storage of edible foodstuffs only.
- Don't- Exceed the maximum freezing capacity (16 kg in any 24 hours) when freezing fresh food.
- Don't- Consume ice-cream and water ices direct from the freezer. The low temperature may cause 'freezer burns' on lips.
- Don't- Freeze fizzy drinks.
- Don't- Try to keep frozen food which has thawed, it should be eaten within 24 hours or cooked and refrozen.
- Don't- Remove items from the freezer with wet hands.
- Don't- Close the door before placing the fast-freeze compartment cover in its place.
- Don't- Leave frozen food at room temperature to thaw; the best way to defrost food is to put it in the fridge to thaw slowly. Make sure you avoid defrosting food or food juices drip onto other food.
- Don't Remove the plastic cover on the rear wall.
- Don't Damage the pipes on the appliance.

## PROBLEM SOLVING / TROUBLE SHOOTING

If the appliance does not operate when switched on, check:

- The plug is inserted properly in the socket and that the power supply is on. (To check the power supply to the socket, plug in another appliance)
- The fuse has blown/circuit breaker has tripped/main distribution switch has been turned off.
- The temperature control has been set correctly.
- New plug is wired correctly if you have changed the fitted moulded plug.

If the appliance is still not operating after the above checks, please refer to the section on "How To Obtain Service".

Please ensure that above checks have been made as a charge will be made if no fault is found.

## REVERSING THE DOOR

We recommend that you reverse the door before switching on for the first time.

Tools required: Small and medium size flat and cross-headed screwdrivers, a pair of pliers.

Spare Parts supplied in the plastic bag: The following parts, which are exclusively for left hand side fitted hinge operation are supplied in a plastic bag with the appliance:

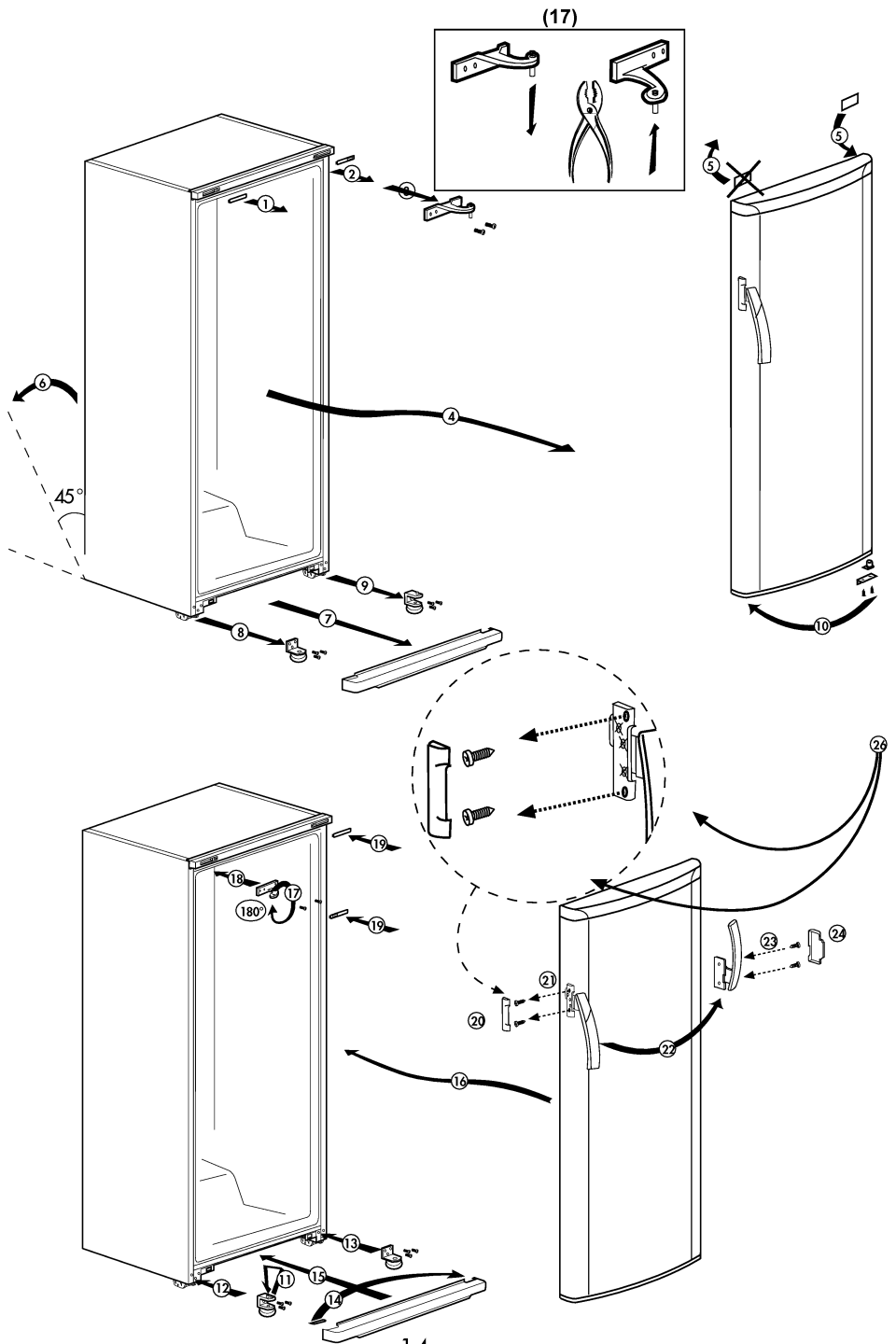
- Door top trim hinge covers – there are 2 different parts, one for each side of top trim.

We suggest you keep all the parts supplied in the plastic bag and also parts, which have been removed when reversing the door, in a safe place for possible future, re-use.

**IMPORTANT:** We suggest you ask somebody to help you when moving the appliance around and to hold the door when removing / re-fitting hinges and the door to avoid any injury and damage to the product.

Please refer to diagrams supplied. To follow numbers in brackets below, refer to the main diagram.

1. Switch off the appliance at the socket outlet and pull out the mains plug.
2. Remove all loose items and fittings and food inside the appliance.
3. Gently prise off plastic hinge covers on both sides of front top panel using a small flat-headed screwdriver. (1-2)
- 4- Unscrew the bolts of the top hinge and remove top hinge. (3)
- 5- Remove door carefully off the bottom hinge and stand door upright in a safe place.(4)
6. Gently prise off plastic hinge cover on door top trim. Fit the other door top trim plastic off hinge cover supplied in the plastic bag.(5)
7. Gently tilt the appliance back against a strong wall on its rear side sufficiently to allow the lower hinge to be removed. Take care to protect the appliance, your wall and floor coverings. You can utilise the original packaging to do this. Once you tilt the appliance back, check to make sure the appliance is completely stable and safe before you carry on. (6)
8. Remove the kick plate by pulling it back.(7)
9. Unscrew and remove the adjustable foot bracket if required remove foot.(8)
10. Unscrew and remove the bottom hinge.(9)
11. Unscrew and remove the bottom hinge door stopper and bushing and reposition them on the other side while rotating the bushing 180°. (10)
12. Unscrew and remove the bottom hinge pin using a pair of pliers and fix it to the hole next to its original position. (11)
13. Fit the bottom hinge to the cabinet as shown in the figure.(12)
14. Fit the adjustable foot bracket as shown in the figure.(13)
15. Reposition the kick plate plastic cover on the other side.(14)
16. Fit the kick plate.(15)
17. Locate and re-fit door to bottom hinge pin.(16)
18. Rotate the top hinge 180°. Unscrew the hinge pin and re-tighten it to the opposite side. (17)
19. Re-fit the upper hinge on the opposite side by using a flat headed screwdriver.(18)
20. Fit front top panel plastic hinge covers on the opposite sides.(19)
21. Remove the handle cover gently taking care not to damage the appliance.(20)
22. Unscrew and remove the handle (21). **Do not unscrew the yellow coloured screws!**
23. Rotate 180 degrees and fit handle to the other side after removing hole plugs gently.(22,23)
24. Fit the handle cover.(24)
25. Adjust the two front feet if necessary.
26. Check that door opens and closes easily, it is aligned correctly and there are no gaps allowing air into the cabinet. If there are gaps between the door seal and the cabinet, adjust the door seal by gently pulling away from the door using fingers.
27. Check that all the hinge screws are tightened. Avoid over tightening the screws.
28. Put all items, fittings back in the appliance.
29. Wait for at least 4 hours to allow the system to settle before switching on.
30. Once the correct storage temperatures have been reached in the appliance, put back all the food.





## GUARANTEE DETAILS

Your new Beko product is guaranteed against the cost of breakdown repairs for twelve months from the date of the original purchase.

### What is covered?

- Repairs necessary as a result of faulty materials, defective components or manufacturing defect.
- The cost of functional replacement parts, but excluding consumable items.
- The labour costs of a Beko approved repairer to carry out the repair.

### What is not covered?

- Transit, delivery or accidental damage or misuse and abuse.
- Cabinet or appearance parts, including knobs, flaps, handles or container lids.
- Accessories or consumable items including but not limited to, ice trays, scrapers, cutlery baskets, filters and light bulbs.
- Repairs required as a result of unauthorised repair or inexperienced installation that fails to meet the requirements contained in the user instruction book.
- Repairs to products used on commercial or non-residential household premises.
- Loss of frozen food in freezers or fridge/freezers. (Food loss insurance is often included within your household contents insurance policy, or may be available separately from your retailer).

### Important notes.

- Your Beko product is designed and built for domestic household use only.
- The guarantee will be void if the product is installed or used in commercial or non-residential domestic household premises.
- The product must be correctly installed, located and operated in accordance with the instructions contained in the User Instructions Booklet provided.
- Professional installation by a qualified Electrical Domestic Appliance Installer is recommended for all Washing Machines, Dishwashers and Electric Cookers
- Gas Cookers must only be installed by a CORGI (or BORD GAIS) registered Gas Installer.
- The guarantee is given only within the boundaries of the United Kingdom and the Republic of Ireland.
- The guarantee is applicable only to new products and is not transferable if the product is resold.
- Beko disclaims any liability for incidental or consequential damages. The guarantee does not in anyway diminish your statutory or legal rights.

## HOW TO OBTAIN SERVICE

**Please keep your purchase receipt or other proof of purchase in a safe place; you will need to have it should the product require attention under guarantee.**

You should also complete the details below; it will help us assist you when requesting service. (The model number is printed on the Instruction Booklet and the serial number is printed on the Rating Label affixed to the appliance)

**Model No:            Serial No:            Retailer:            Date of purchase:**

**For service under guarantee simply telephone the appropriate number below**

### UK Mainland & Northern Ireland

Fridges & Freezers	0845 6004903
Electric Cookers	0845 6004902
Gas & Dual Fuel Cookers	0845 6004905
Washing Machines & Dishwashers	0845 6004906

### Republic of Ireland

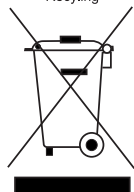
All Refrigeration, All Cookers Washing Machines & Dishwashers	01 862 3411
--	-------------

**Before requesting service please check the trouble-shooting guide in the Operating Instructions as a charge may be levied where no fault is found even though your product may still be under guarantee.**

**Service once the manufacturers guarantee has expired.**

If you have purchased an extended guarantee please refer to the instructions contained within the extended guarantee agreement document. Otherwise please call the appropriate number above where service can be obtained at a charge.

Should you experience any difficulty in obtaining service please contact the Beko Customer Help-Line. Tel: 0845 6004911 e-mail: [service@beko.co.uk](mailto:service@beko.co.uk)

<p>Recycling</p> 	<p>This product bears the selective sorting symbol for waste electrical and electronic equipment (WEEE). This means that this product must be handled pursuant to European Directive 2002/96/EC in order to be recycled or dismantled to minimize its impact on the environment. For further information, please contact your local or regional authorities.</p> <p>Electronic products not included in the selective sorting process are potentially dangerous for the environment and human health due to the presence of hazardous substances.</p>
--	---



Printed in Turkey

Part no: 48 2568 00 02  
Revision no: 2