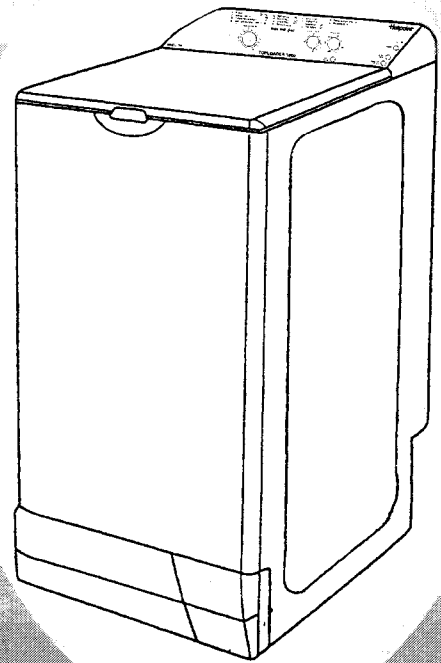


Hotpoint®

Congratulations on the purchase of your new Top Loader Washing Machine.

IMPORTANT INFORMATION

Please read this Instruction Manual thoroughly before installing and using your appliance for the first time.



Instruction Manual

For Model WMTL79

Electricity Supply

WARNING: This appliance must be earthed.

Fuses

Your appliance comes fitted with a plug and a 13A fuse. If you need to replace the fuse, only those rated at 13A and ASTA approved to BS1362 should be used. If you lose the fuse cover, a replacement may be obtained from your local Hotpoint authorised Service Centre or Electricity company. Correct replacement is identified by colour coding or the marking on base of plug.

WARNING: Do not use plug unless fuse cover is fitted.

Changing the Plug

Cut off and dispose of the supplied plug if it does not fit your socket.

WARNING: To avoid a shock hazard do not insert the discarded plug into a socket anywhere else.

IMPORTANT: WIRES IN THE MAINS LEAD ARE COLOURED IN ACCORDANCE WITH THE FOLLOWING CODE:

Green/Yellow	-	Earth
Blue	-	Neutral
Brown	-	Live

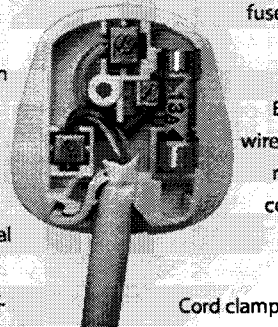
If you change the plug, the colour of wires in the mains lead may not correspond with the colour of the markings identifying terminals in the plug. You should therefore wire it as shown.

Green and yellow (Earth) wire to terminal marked 'E', symbol \oplus , or coloured green and yellow.

Blue (Neutral) wire to terminal marked 'N' or coloured black.

13A ASTA approved fuse to BS1362.

Brown (Live) wire to terminal marked 'L' or coloured red.



Recommendations for the Electrical Installation of your Appliance

- Do not use extension leads, adaptors or multiple plugs.
- Never remove the earth connection.
- You should plug your appliance into a socket that is easily accessible but out of reach of children.

If in doubt, get in touch with your installer.

CE marking certifies that this appliance conforms to the following EEC directives:-

Low Voltage Equipment - 73/23/EEC

Electromagnetic compatibility - 89/336/EEC amended by 93/68/EEC



Contents

Electricity Supply	2	Troubleshooting	
Recycling & Disposal Information	3	General Maintenance	13
Installation Instructions			
1. Choose a Location.....	4	Hotpoint After Sales	
2. Remove Transit Bracket	5	Service	14
3. Levelling...		Hotpoint Guarantee	
4. Moving the Appliance...		Guarantee Terms & Conditions	15
5. Connect to the Water Supply	6		
6. Connect to a Drainage System.....	7	Key Contacts	Back Page

When you have installed your appliance, ensure it is ready to use by following the 10 Step Check List on page 7

Getting to know your Appliance	8
---	---

Choosing a Wash Programme	9
--	---

Automatic Safety Features	10
--	----

The Dispenser Drawer	11
-----------------------------------	----

Cleaning	12
-----------------------	----

Recycling & Disposal Information

As part of Hotpoint's continued commitment to helping the environment, Hotpoint reserves the right to use quality recycled components to keep down customer costs and minimise material wastage. Please dispose of packaging and old appliances carefully. To minimise risk of injury to children, remove the door, plug and cut mains cable off flush with the appliance. Dispose of separately to ensure that the appliance can no longer be plugged into a mains socket.



Retention of this Instruction Manual

Keep this instruction manual in a handy place for reference. It contains important details on the safe and proper use of your appliance. If you sell the appliance, pass it on to someone else, move house or leave it behind, make sure that you provide this manual so that the new owner can become familiar with the appliance and safety warnings.

Installation Instructions

IMPORTANT INFORMATION:

- Do not plug in and switch appliance on at the mains until installation is complete.
- You may be charged for a service call if a problem with your appliance is caused by incorrect installation or misuse.

Follow these 5 steps for a trouble free installation:

1. Choose a Location...
2. Remove Transit Bracket...
3. Levelling...
4. Moving the Appliance...
5. Connect to the Water Supply...
6. Connect to a Drainage System...

1. Choose a Location...

The choice of location for your appliance will influence its performance.

- Position where possible on a solid floor. Vibration may occur with a wooden floor.
- Take care with vinyl floor coverings. The weight of the appliance may cause indentations in some vinyl floor coverings.
- You should not install your appliance on a carpeted floor, but if this is unavoidable, ensure that air can circulate around its base.
- If locating next to another appliance or an item of furniture, leave space between them to allow air to circulate.
- For your safety and to comply with IEE regulations, you should not install your appliance in a bath or shower room. Seek professional advice if you wish to do so.
- Ensure sufficient space is allowed for the appliance - minimum requirement for dimensions (H) 850mm x (W) 400mm x (D) 600mm
- Ensure the electrical socket and water taps are easily accessible and that the water supply can be isolated if necessary.
- If you wish to align the front of your machine with other appliances, you can if necessary, remove the hose support collars (1). In this case, blank off the openings using the plugs (2) (see Fig 1).

You should keep the three hose support collars safe, for any future transportation.

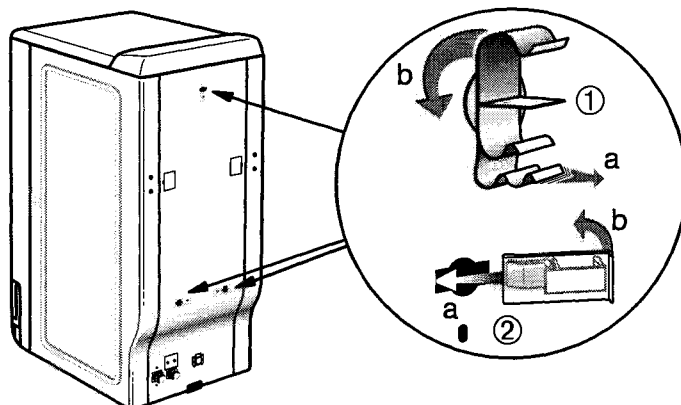


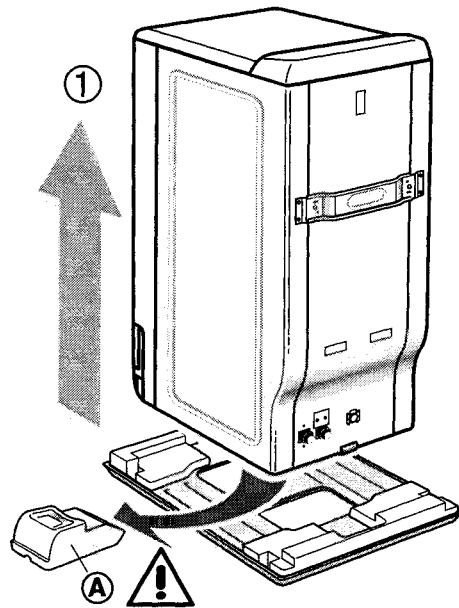
Fig 1

2. Remove Transit Bracket...

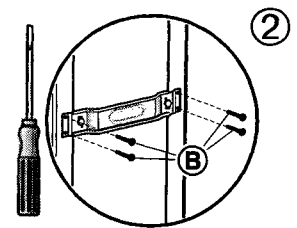
BEFORE ATTEMPTING TO USE THE MACHINE, YOU MUST FOLLOW THE PROCEDURE DESCRIBED BELOW. These operations involve removing the metal transit bracket and the blocks that immobilise the tub of your machine during transportation.

These "unpacking" operations are compulsory for safety reasons.

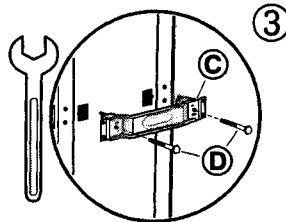
- Please retain all packaging components as they must be replaced if the machine is to be transported in the future.
- All these parts and the components of your machine are made from recyclable materials. Please bear this in mind when the time comes to dispose of your machine.
- Your machine was inspected before leaving the factory. You may therefore find traces of water in the tub or in the detergent compartment.



1. Remove the washing machine from its base. Check that the block (A), that retains the motor is not stuck under the machine.

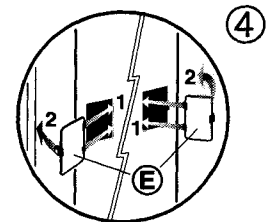


2. Remove the four screws (B) with a screwdriver.



3. Remove the bracket (C) by removing the two bolts (D) with a 13mm A/F spanner.

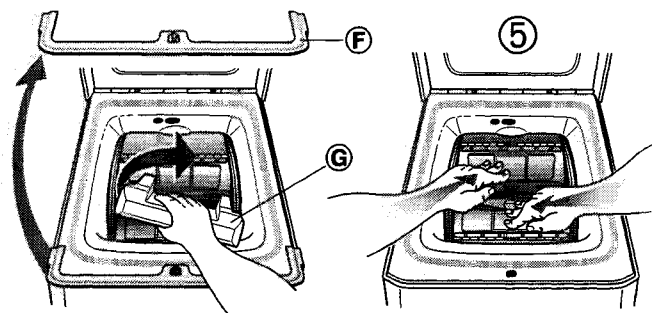
Ensure the two plastic spacers, attached to the bars are removed at the same time.



4. Blank off the two holes using the plugs (E), provided.

5. Remove the block that immobilises the drum and tub. To do this:
 - raise the machine lid.
 - remove the red packing wedge (F).
 - remove the block (G).
 - open the doors of the drum, locked in the low position, by pushing both flaps at the same time.

WARNING: Release hold on flaps slowly and carefully as they are fitted with strong springs.



Remember you may be charged for a service call if a problem with your appliance is caused by incorrect installation or misuse.

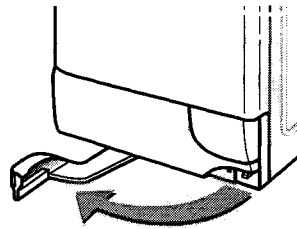
3. Levelling...

Check that the ground is horizontal ensuring your appliance is level and stable on the floor so that it will not vibrate during the spin cycle,

4. Moving the Appliance...using the castors.

If your appliance is fitted with folding castors, it is easy to move. To extend the castors, move the lever at the bottom of the machine from right to left.

Do not forget to return the lever to its original position. The machine should not be used while standing on its two 'front' castors.



5. Connect to the Water Supply...

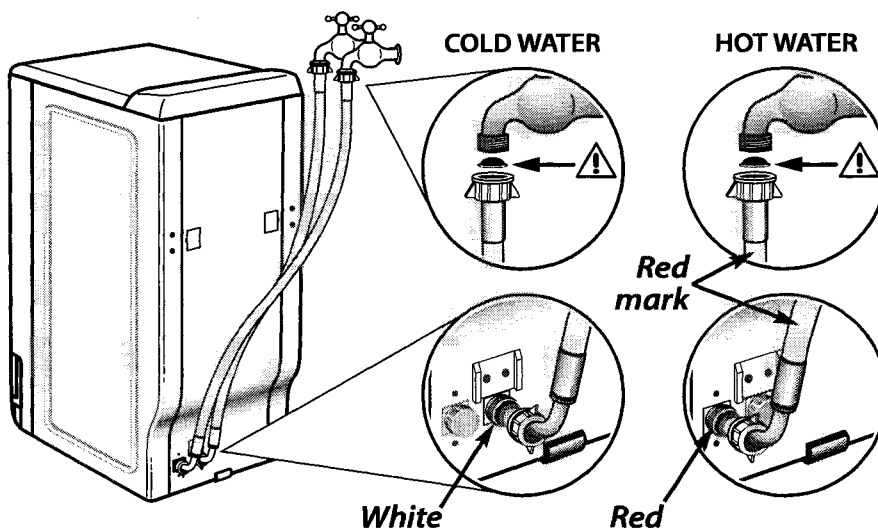
- Water inlet: Minimum water pressure: 0.05 MPa or 0.5 bars
Maximum water pressure: 1MPa or 10 bars
- The temperature of the incoming household hot water supply should ideally be 60°C and no higher than 70°C as this could cause damage to both your laundry and appliance.
- The water supply taps must be easily accessible when the appliance is installed.
- The appliance must be connected to the appliance water supply using the new hose set supplied, old hose sets should not be used.

WARNING

- Do not connect appliance to a single outlet instantaneous water heater.

Hot and Cold Water Supply

1. Connect the angled end of the RED marked hose (provided in the machine) to the RED plastic inlet valve at the back of the appliance. Connect the straight end to your HOT water supply.
2. Repeat the procedure connecting the angled end of the hose without mark (attached to the rear of the appliance) to the WHITE inlet valve at the back of the appliance and the straight end to your COLD water supply.
3. Hand tighten connectors sufficiently to ensure water does not leak from the hose connections.
4. Turn on water supply taps and check for leaks from the connectors. In the event of a leak, turn off supply tap, remove connector and check sealing washer is in place. Refit connector and tighten. Turn on water supply taps.



Remember you may be charged for a service call if a problem with your appliance is caused by incorrect installation or misuse.

6. Connect to a Drainage System...

- Connect up the drain hose, after fitting the hooked end support supplied in the machine.
- Do not position standpipe near an electrical outlet.
- For drainage into a standard worktop sink ensure the outlet pipe has a minimum bore of 32mm. To avoid syphoning ensure the end of the drainage hose is above the water level in the sink. If your sink is inset, the front edge of the basin must be less than 75mm from the front edge of your worktop (Fig 1).

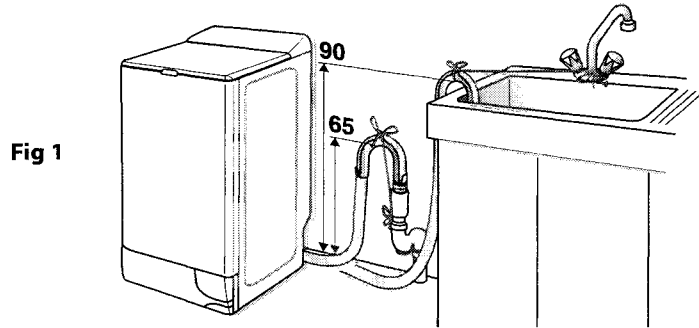


Fig 1

We recommend one of the following drainage methods:-

Standpipe

Note: Ensure the standpipe has a minimum diameter of 38 mm.

1. Ensure hooked end of drain hose is positioned between 90 and 65cm above the bottom of the machine (Fig 2).
2. Untie the end of the GREY drainage hose from the rear of the appliance and place approximately 100 mm into the standpipe or sink trap spigot.

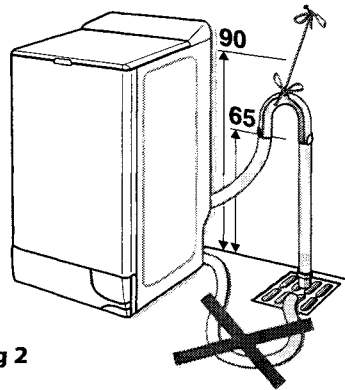


Fig 2

The waste water can be drained onto the ground, so long as the drain hose passes through a point between 90 and 65cm higher than the bottom of the machine (Fig 2).

Sink Waste System

Note: Ensure the sink outlet pipe has a minimum diameter of 32 mm.

1. Untie the end of the GREY drainage hose from the rear of the appliance.
2. Reposition 'Hooked End Support' as required along the GREY drainage hose.
3. If fitting an under sink waste disposal unit (Fig 3), cut out the membrane, bung or blanking plug.
4. Attach the GREY drainage hose to the under sink waste disposal unit securely, using a Jubilee clip.
5. Raise the hose to a minimum height of between 90 and 65cm to avoid syphoning.

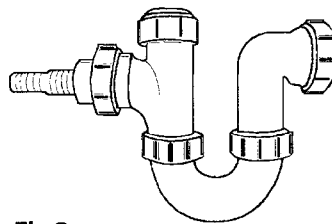


Fig 3

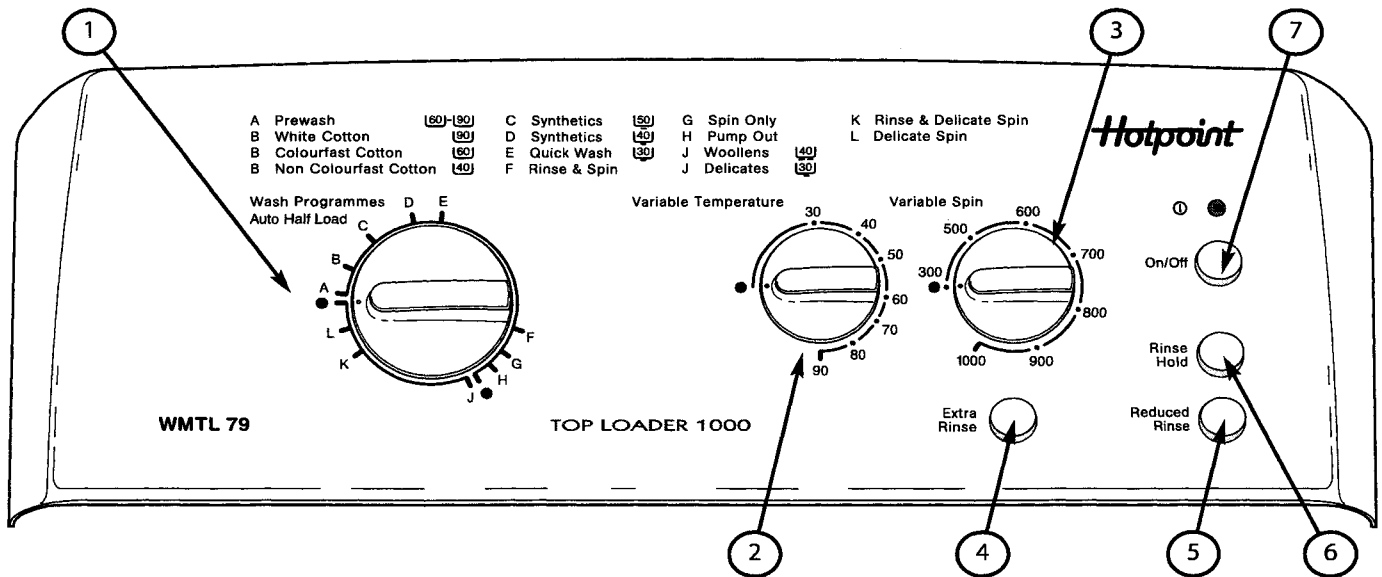
- **Ensure the drain hose is securely attached, to prevent it coming away while the machine is in use and causing a flood.**

When you have installed your appliance, ensure it is ready to use by following this 10 Step Check List

1. Dispose of packaging safely, see 'Recycling Information' on page 3.
2. Position appliance close to electrical/water supply see 'Location' on page 4.
3. Remove all packaging components see 'Transit Bracket Removal' on page 5.
4. Connect supplied hoses to appliance water supply, confirm water is flowing before connecting to the appliance inlet valves see 'Water Supply' on page 6.
5. Untie drainage hose at rear of appliance and connect to a drainage system see 'Drainage' opposite.
6. Untie mains lead at rear of appliance and plug into electrical supply via a switched socket, see 'Electrical Supply' on page 2.
7. Position appliance, taking care not to kink or damage hoses at rear of appliance.
8. Ensure the appliance is level, see page 6.
9. Turn on the water supply to the appliance.
10. Switch on at plug socket.

- **Your appliance is now ready for use, refer to 'Getting to Know Your Appliance', page 8, to familiarise yourself with the appliance.**

Getting to Know Your Appliance



Selecting a Wash Programme...

WARNINGS

- Do not allow children to play with the appliance or tamper with the controls.
- Do not overload appliance! It may damage laundry and reduce the quality of the wash.

1. Wash Programmes...

Select a programme according to the type of laundry to be washed.

2. Variable Temperature...

Select the most appropriate temperature for the clothes to be washed. Follow the washing recommendations given on labels attached to most articles.

3. Variable Spin...

Select the spin speed appropriate to the type of clothes.

WHITES, COLOUREDS and SYNTHETICS: From 500rpm to maximum speed

DELICATES and WOOL: From 300rpm to 600rpm

Notes:

- In the 'WHITES', 'COLOUREDS' and 'SYNTHETICS' programmes, the final spinning takes place in two stages to reduce creasing.

4. Extra Rinse...

An additional programme for 'sensitive and allergic skins'.

It adds an extra rinse to the 'WHITES', 'COLOUREDS' and 'SYNTHETICS' programmes.

On the other hand it has no effect in the 'WOOLLENS' and the 'DELICATES' programmes even if the button is pressed.

5. Reduced Rinse...

Mainly used for reduced loads of washing, from 1 to 3 kg. Considerable savings in water and electricity are therefore made.

6. Rinse Hold...

This function is intended for articles you don't want to spin dry or if you expect to be absent when the programme comes to an end. When this button is selected, the cycle is interrupted before final spinning, allowing your washing to float in water to avoid creasing. Then:

- if you want draining with spinning release this button, the programme terminates automatically
- if you simply want to drain your washing turn the programme knob to position 'H' and release the button.

7. On / Off...

Check that the power cable is plugged in and the water inlet tap open.

Programme your machine and then press the 'On/Off' button. The washing cycle begins and the light comes on. This light will go out only when the cycle has ended or in the case of 'Rinse Hold' having been selected. On completion of the cycle (when the light goes out), switch off the machine, by releasing the On/Off button, then open the lid and remove your laundry.

You should also release any other buttons you have selected.

As a safety measure, you should switch off and unplug at the mains and close the water inlet valve.

Note: We recommend on completion of your wash programme that you switch off the appliance by releasing the 'ON/OFF' button and release any option buttons selected. As a safety measure, switch off both the power and water supply to the appliance.

IMPORTANT INFORMATION: The temperature of the incoming water supply or selection of wash features will affect programme times.

Choosing a Wash Programme

Programme Codes	Fabric	Temp °C	Max Load Size	Spin Speed	Prog. Time Approx mins Based on Hot & Cold fill.
Prewash A - B <u>60</u> - <u>90</u>	Heavily soiled wash loads. Pre-wash followed by white cotton.	90°C	5.0kg	500-1000	145 mins
B <u>90</u>	White cotton	90°C	5.0kg	500-1000	130 mins
B <u>60</u>	Colourfast cotton	60°C	5.0kg	500-1000	130 mins
B <u>40</u>	Non colourfast cotton	40°C	5.0kg	500-1000	130 mins
C <u>50</u>	Synthetics	50°C	2.5kg	300-1000	115 mins
D <u>40</u>	Synthetics	40°C	2.5kg	300-1000	95 mins
E <u>30</u>	Quick Wash	30°C	2.5kg	300-1000	90 mins
F	Rinse & Spin		5.0kg	300-1000	25 mins
G	Spin only		5.0kg	500-1000	20 mins
H	Pump out				5 mins
J <u>40</u>	Woollens	40°C	1.0kg	300-600	50 mins
J <u>30</u>	Delicates	30°C	1.0kg	300-600	50 mins
K	Rinse & delicate Spin		1.0kg	300-600	15 mins
L	Delicate Spin		1.0kg	300-600	10 mins

Hotpoint recommend the Persil range of detergent products

WARNING:
A, B and E programmes are NOT for woollen items.

Sort the laundry according to the wash care labels, the degree of soiling and the weight (*maximum weight per fabric as indicated in this chart.*)

Close all zips and remove items from pockets

Loading the machine:

Raise the opening handle, situated on the front of the appliance, the lid will open. Press the bolt on the front drum flap and grasp the rear flap that lifts up to open the drum.

WARNING: Release hold on flaps slowly and carefully as they are fitted with strong springs.

Place the laundry in the drum loosely for best results, if possible combine large and small items. An overloaded drum will give unsatisfactory wash results. *Take care that no items fall outside the drum.*

Also ensure, no items are trapped between the two flaps.

"Delicates and Woollens" cycles:-

These cycles include 2, six minute washing activation phases, during which it is normal that the drum of your appliance DOES NOT turn.

Automatic Safety Features...

Lid Open Safety Devices

Once the washing cycle starts, the lid of your machine is locked.

When the cycle has finished or if the machine is stopped with the tank full of water, the lid is unlocked.

If you want to open the lid during the cycle, release the 'On/Off' button and wait 2 or 3 minutes for the safety device to unlock.

Spinning Safety Device

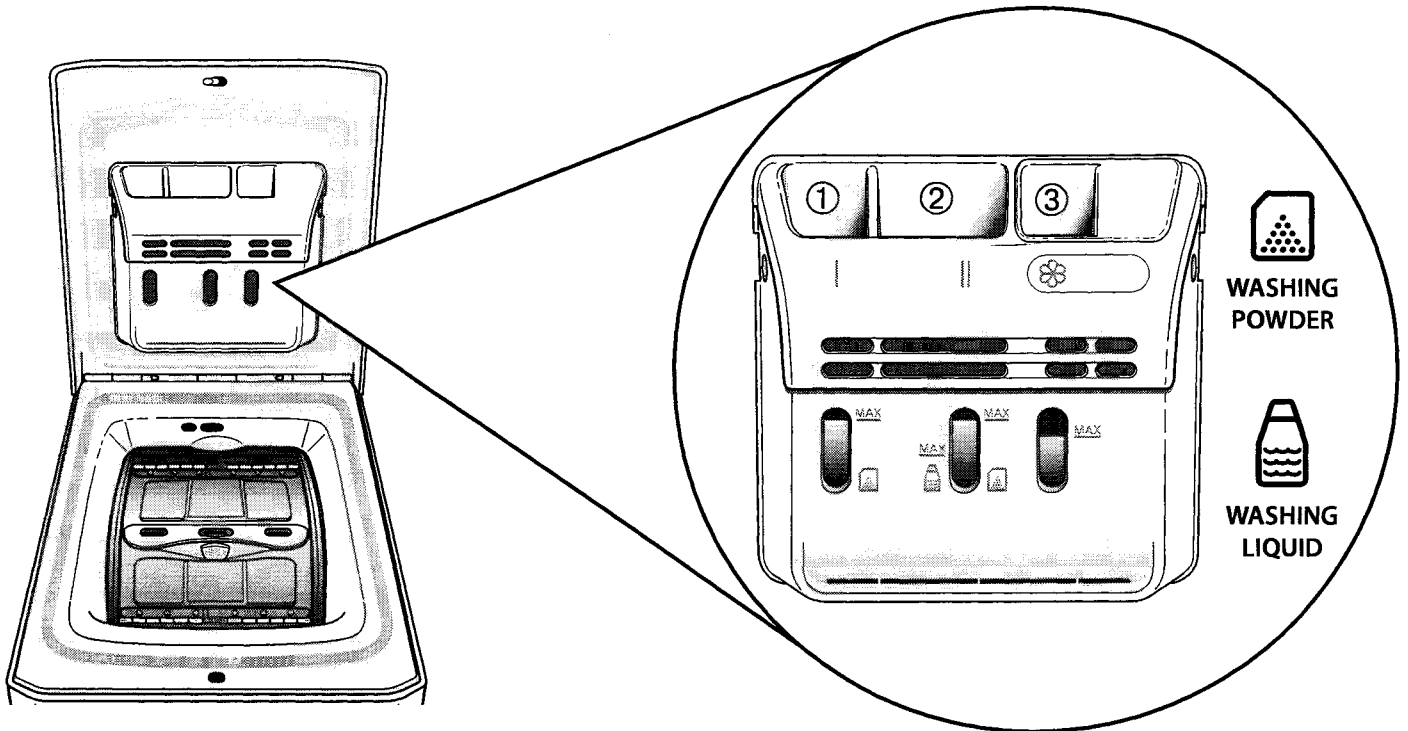
Your appliance is fitted with a safety device that prevents spinning if it detects uneven loading.

In this case, open the drum, redistribute the clothes and programme a further spinning.

The Dispenser Drawer

Opening the Machine

- Ensure that the On/Off button is in the 'OFF' position.
- Press the push button, situated on the front of the appliance, the lid will open.



Adding Detergent

- (1) Pre-wash tray (powder) and (2) Detergent tray (powder or liquid)

	Pre-wash	Main wash
Normal washing powders	140 ml	300 ml
Liquid detergents		180ml

We recommend that you use the graduated beaker provided with most washing products for measuring out your detergent.

The quantities recommended above refer to normal washing conditions and may be altered according to the hardness of the water and the level of soiling on the laundry.

- Soft water, or 'slightly soiled' laundry or 'quick wash' etc. **reduce the quantities by 10%**
- Very hard water or 'very soiled' laundry **increase the quantities by 10%**

Concentrated detergents: Follow the instructions printed on the packaging.

Detergents for woollens and delicate fabrics: It is advisable to use the appropriate detergent for washing of those textiles (do not let it come into direct contact with the drum as some products attack the metal). Use the quantities recommended on the packaging.

- (3) Fabric conditioner

The conditioner is designed to make your clothes soft and pleasant smelling.

DO NOT use concentrated fabric conditioner in this appliance.

Overdosing the amount of detergent does not improve the quality of the wash and could cause excessive suds potentially leading to an overflow.

The dispenser can be removed and cleaned (see Cleaning section, page 12).

IMPORTANT:

- When filling the detergent trays, open the lid as far as possible.
- Do not exceed the maximum level.

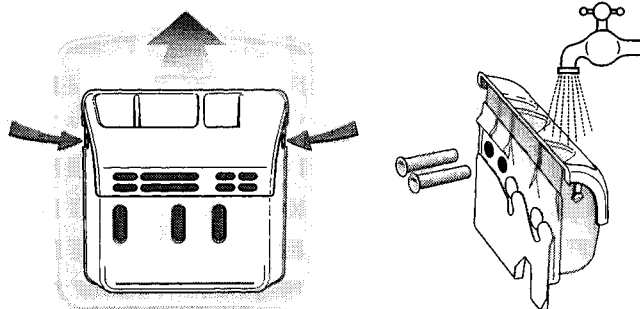
Cleaning

WARNING

- Do not clean any part of your appliance with abrasive cleaners, scouring agents, acids, chlorine based bleach or metal polish as they may cause damage.

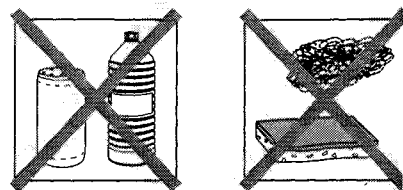
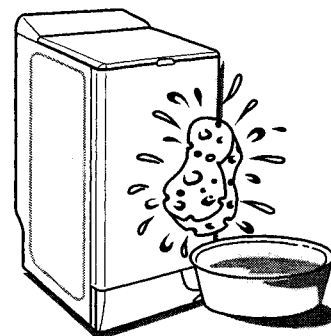
Removing and Cleaning the Detergent Compartment

Note: It is advisable to clean the detergent compartment regularly. To do this:



- 1 Press simultaneously on the bosses at either side of the compartment, causing it to spring out of its housing
- 2 Remove the syphon tubes at the back of the compartment.
- 3 Rinse all parts under the tap (take care to remove any excess water remaining inside the compartment)
- 4 Replace the syphon tubes and relocate the compartment.

Cleaning the Exterior



Use only soap and water for cleaning the surfaces.

Use only a cloth moistened with water when cleaning plastic parts, (control panels, plinth etc.)

Cleaning the 'debris trap'

This clever system traps any small items you may have overlooked in the clothes and prevents these items from damaging the pump. **Note:** It is advisable to clean the debris trap regularly. To do this:

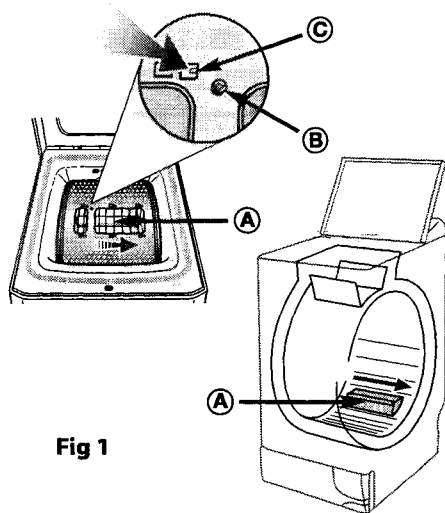


Fig 1

- 1 Switch off and unplug the appliance.
- 2 Rotate the drum so that the closed flaps are at the bottom, you will see a plastic part (A) Fig 1.
- 3 Remove screw (B) Fig 1. On some types of appliance, plastic part (A) is provided with a clip (C). In this case, unlock plastic part (A) by applying pressure to the clip while gently sliding it to the right. Rotate drum again and open the flaps.
- 4 Remove plastic part (A) by sliding it in the direction of the arrow, then remove the debris trap from its housing Fig 2, empty any items that are inside.
- 5 Rinse all parts under the tap Fig 2, (check that the housing is also clean).
- 6 Replace the debris trap, pushing it firmly into its housing. Refit plastic part (A) and screw (B) by following the above procedure in reverse order.

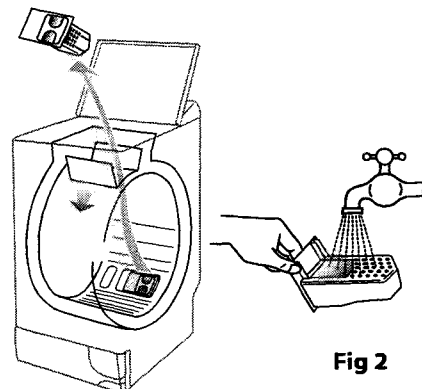


Fig 2

Troubleshooting...

Incidents may occasionally occur when you are using your appliance, if so, check the following points:

My appliance does not work

Check:

- water and power supplies
- that the lid is closed
- the fuse

It vibrates when spinning

Check:

- it has been properly unpacked (see page 6)
- machine is level (see page 8)
- it is not standing on the two 'front' castors.

There is water on the floor near the appliance

(VERY IMPORTANT: switch off and unplug the machine at the power socket)

Check:

- the drain hose hook fitting is properly located in the drain.
- the seal on the water inlet hose or tap (check that seals are present and the hose connectors on the appliance are tight).

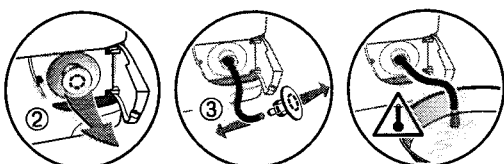
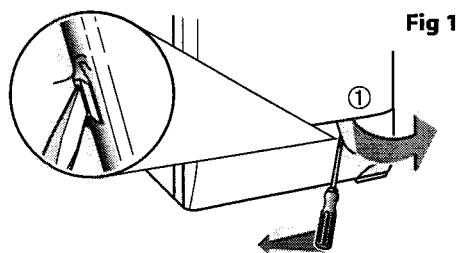
There may also be water on the ground, near the appliance if your appliance is producing too much suds. In this case check:

- that you have in fact used a MACHINE washing product.
- that you have not used too much detergent.

In these two cases, after mopping up the water, plug in the power again, programme an emptying operation if your machine can do this (if not, proceed as indicated in the next section), then carry out several rinses.

Finally restart your programme.

Emptying the Appliance



If you have to empty the machine, proceed as follows:

- Open the door (1) at the front of the appliance, to do this:
 - insert a screwdriver, as indicated (see Fig 1)
 - detach the door by pressing to the left.
- Pull on yellow plug (2) to release drain spout
- Separate the plug from the spout (3) and allow the water to flow into a container.

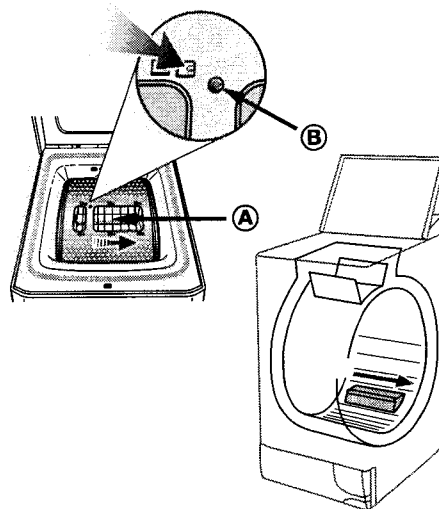
(Be careful of the water temperature)

When emptying is complete, refit the spout by following the above procedure in reverse order.

It does not empty or the clothes are not properly spun

Check:

- you have not programmed a function that prevents spinning (eg. full drum stop)
- the bottom of the tank is not blocked by some small item of laundry. In this case:
 - unplug the machine.
 - remove as much water as possible using the drain spout.
 - (see, 'Emptying the Appliance')
 - remove the washing.
 - rotate the drum so that the closed flaps are at the bottom, you will see a plastic part (see Fig 2)



- Remove plastic part (A) (see procedure in the chapter 'Cleaning the debris trap' on page 12).
- Remove whatever is in the bottom of the tub through the holes now accessible. (Take this opportunity to clean the debris trap, see page 12).
- Refit plastic part (A) and screw (B).

General Maintenance...

● Risk of freezing:

If there is a risk of freezing: disconnect the water inlet hose and empty out any water remaining in the drain hose by placing this as low as possible in the sink.

● Maintenance of internal parts:

In the interests of hygiene (e.g. to prevent mould):

- leaving the lid open for a time after washing.
- every month or so, clean the plastic and rubber parts around the tub access using a slightly chlorinated product. Rinse thoroughly.
- do a wash cycle at 90°C at least once a month.

● Periodic Checks:

You should check the condition of the water inlet and the drain hoses. If you find any splits, however minor, do not hesitate to replace them, call our Genuine Parts & Accessories Hotline, see back cover for details.

Remember you may be charged for a service call if a problem with your appliance is caused by incorrect installation or misuse.

Satisfaction Guaranteed or Your Money Back

Hotpoint gives you a unique 'Satisfaction Guaranteed' promise – valid for ninety days after you have purchased your Hotpoint product. If there is a technical problem with your Hotpoint appliance, call Hotpoint Service. If necessary we will arrange for an engineer to call. If the technical problem is not resolved under this Guarantee, Hotpoint will replace your appliance or, if you prefer, give you your money back.

Hotpoint After Sales Service

Hotpoint appliances carry for the first 12 months a fully inclusive parts and labour guarantee plus FREE replacement parts for the first 5 years provided that they are fitted by our own Service Engineer. When the 12 months parts and labour guarantee expires we offer two after sale service options:

Repair Service

UK: 08709 066 066 or Republic of Ireland: 1850 302 220

Call our National Service Line and benefit from our additional 5 years FREE parts. Although the engineers time and labour is chargeable, all repairs carry a fully inclusive parts and labour guarantee for 12 months from the date of the repair.

Note: Chargeable service is offered on the basis of payment on completion to our service engineer, who will issue a receipt.

Extended Warranties

To join: UK 08709 088 088 or Republic of Ireland: 1850 502 220

Whether you have just one or a number of Hotpoint appliances in your kitchen, Hotpoint offer two Service Cover Plans to give you complete peace of mind. They enable you to extend your first 12 months labour guarantee by either 1 or 4 years, so that you can have FREE repairs during the membership period.

Service Cover FREE service repairs for a single Hotpoint appliance during the period of cover. At an additional cost Service Cover with Maintenance includes an Annual Electrical & Safety Check along with replacement of any parts necessary.

Kitchen Cover An annual payment covers repairs for all your Hotpoint appliances which are less than ten years old. Additional Hotpoint appliances purchased after you have joined Hotpoint Kitchen Cover are automatically included during the annual period of cover without further charge.

Easy Payment Methods

We offer a number of payment methods; cheque, credit card, switch, cash or by taking advantage of one of our Service Cover Plans you can spread the cost by direct debit. For further details telephone: 08709 088 088.

Appliance Registration

To benefit from the above options, complete and return the Appliance Registration Questionnaire supplied with this appliance. Full details and costs of our Service/Kitchen Cover options together with an application form, will then be sent to you towards the end of the 12 month guarantee period.

Hotpoint Genuine Parts & Accessories

A wide range of parts and accessories are available from Hotpoint Genuine Parts & Accessories Mail Order Hotline UK: 08709 077 077 or Republic Of Ireland: 01 842 6836

Hotpoint Guarantee

From the moment your appliance is delivered, Hotpoint guarantees it for five years.

- Hotpoint appliances carry a fully inclusive 12 months parts and labour guarantee plus FREE replacement parts for the first five years provided that they are fitted by our own Service Engineer (evidence will be required of date and place of purchase).
- All Hotpoint servicing is carried out by our own Service Organisation located throughout the United Kingdom and Republic of Ireland. We will be happy to deal with any problems which you may have.



Our Engineers ensure every effort to avoid damage to floor coverings and adjacent units when carrying out repairs/service work, but in locations where the Engineer advises you that it will be impossible to move appliances without risk of damage, he will only proceed with your approval that no liability is accepted.

Guarantee Terms & Conditions

Your Guarantee is only applicable in the United Kingdom or Republic of Ireland and is subject to provision(s) that your appliance:

- Has been used solely for domestic purposes and is on domestic premises ie. not for commercial or trade use.
- Has been used solely in accordance with this instruction book.
- Has been properly connected to a suitable electrical supply voltage as stated on the appliance rating plate.
- Has not been subject to misuse, accident, modified or repaired by anyone other than our own Service Engineers.



Key Contacts

After Sales Service

Over 1100 trained specialists, directly employed by us, ensure that you have complete confidence in both the appliances and services we offer.

Repair Service

UK: 08709 066 066

(Open 8 to 8 Mon - Fri, 8 to 6 Sat & 10 to 4 Sun)

www.theservicecentre.co.uk

Republic of Ireland: 1850 302 200

Note: Our Service Operators will require the following information:

Model Number

Serial Number

Extended Warranties

UK: 08709 088 088

(Open 8 to 6 Mon - Fri)

www.theservicecentre.co.uk

Republic of Ireland: 1850 502 200

Genuine Parts and Accessories

UK: 08709 077 077

(Open 8-30 to 5-30 Mon - Fri, 8-30 to 12 Sat)

www.theservicecentre.co.uk

Republic of Ireland: (01) 842 6836

General Domestic Appliances Limited, Morley Way, Peterborough, PE2 9JB